

SPECIFICATIONS

LENGTH $3\frac{3}{8}$ inches. Rigid construction from high quality material. No soldered terminals, maximum insulation between filament, grid and plate terminals, non microphonic (the tube is silent). Minimum leakage between tube and receptacle terminals. Complete vacuum (tube is gas free), insuring long life. Oscillates on 2 to 300 plate voltage. Low current consumption—only 0.8 amperes in filament circuit. Uniform construction. All tubes interchangeable. Radio frequency and audio frequency amplifier and audion oscillator.

NOTICE

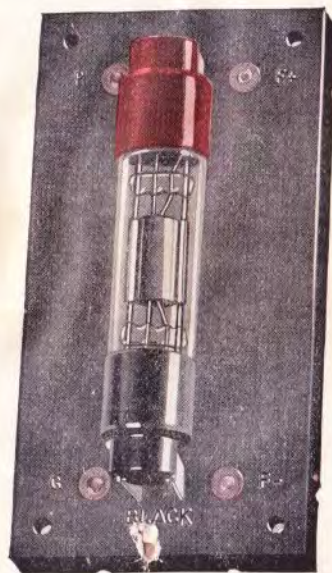
The Myers Audion High Mu is a Genuine Audion manufactured and sold under DeForest United States Patents No. 841,387, January 15, 1907, and No. 879,532, February 18, 1908. The Audion is to be used in the United States only for amateur and experimental purposes, i.e., where messages are not transmitted or received for pay, and is not sold or purchased to be used as a detector of wireless waves. Any use or sale of it for such use renders the vendor or user liable to prosecution for infringement of patent. This tube is sold for use in tandem with another device acting as a detector for the purpose of amplifying either radio or audio frequency currents or as a generator of high frequency electrical oscillations.

PRICE - - - - - U. S.
 Myers Audion High-Mu - \$5.00
 Receptacle - - - - - 1.00

RADIO AUDION COMPANY

90 OAKLAND AVE., JERSEY CITY, N. J.

THE RECEPTACLE



THE Receptacle base is a one-piece moulded grade A Condensite Block $2\frac{1}{4} \times 4\frac{1}{4}$ inches and is designed to build up amplifying panels. The Receptacle permits of concealed wiring, shortest possible leads and minimum capacity effects. If so desired, wiring can be done from front, back or sides of panels. The contact clips which hold lamp are extremely strong and hold the lamp rigidly to position. Proper position of lamp is indicated on receptacle. The lamp and base form a perfect unit for mounting in any set.



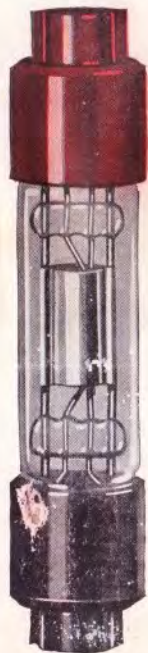
MYERS' AUDION

HIGH-MU

The Loudest Speaking
 Tube Made

RADIO AUDION COMPANY
 90 OAKLAND AVE., JERSEY CITY, N.J.

MYER'S AUDION HIGH-MU



(Full Size)

UNIVERSAL
AUDION
FOR
RECEPTION
AMPLIFICATION

THE REQUIREMENTS AN AUDION TUBE MUST FULFILL

- First:* It must bring in the loudest possible signals.
- Second:* It must have long life.
- Third:* A tube must not be critical. In other words, it must oscillate over a broad range of Plate voltage.
- Fourth:* It must be economical in current consumption.
- Fifth:* It must be free from tube noises. Otherwise, each tube will magnify the noise of the previous tube.
- Sixth:* All tubes must be uniform in operation in order to be interchangeable.
- Seventh:* It must be strong in construction.
- Eighth:* It must be designed for practical and convenient mounting.
- Ninth:* Last, but not least, its cost must not be excessive.

THE MYER'S AUDION HIGH-MU

THESE are some of the requirements which Mr. Myers set out to meet when he designed the Myer's Audion HIGH-MU.

This tube has 5 times the amplification of the ordinary tube. This high amplification is due to a design which permits of high voltages to be passed from the plate to filament and still be held under control of the grid.

The Myers Audion oscillates anywhere from 2 to 300 volts on the plate.

The tube has long life due to high evacuation (the tube is gas free) and the special filament material used. It consumes very little current, the average current consumption per lamp being only 0.8 amperes.

It is silent, there being no tube hiss or mechanical noise; signals therefore come in perfectly clean.

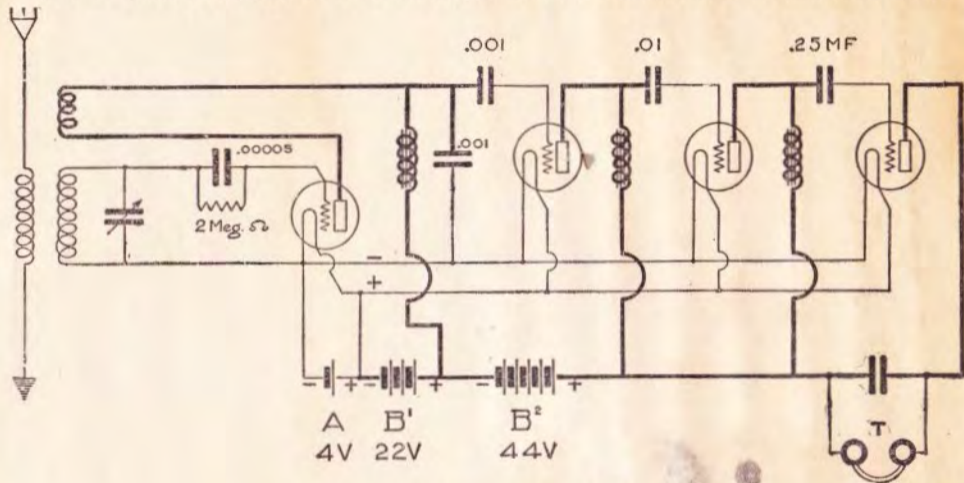
The Myers Audion has been designed purely from the standpoint of its requirements as a piece of Radio Equipment. All previous ideas of incandescent electric lamp construction were cast aside and the result is as near a perfect piece of Radio equipment as it is possible to make.

Due to this design, its construction is so rugged that it easily withstands rough usage. It is the only tube that can safely be sent through the mails.

Considering that it does five times the work of an ordinary tube, it is more than economical at the price of \$5.00.

R A C AMPLIFIER COIL

3-STEP AUDIO FREQUENCY AMPLIFICATION CIRCUIT USING R A C AMPLIFYING COILS.



RADIO AUDION COMPANY
 90 OAKLAND AVENUE
 JERSEY CITY, N. J.

NOTICE

The RAC-3 is a Genuine Audion manufactured and sold under DeForest United States Patents No. 841,387, January 15, 1907 and 879,532, February 18 1908. The Audion is to be used in the United States only for amateur and experimental purposes, i. e. where messages are not transmitted or received for pay, and is not sold or purchased to be used as a detector of wireless waves. Any use or sale of it for such use renders the vender or user liable to prosecution for infringement of patent. This tube is sold for use in tandem with another devise acting as a detector for the porpose of amplifyin^g either radio or audio frequency currents or as a generator of high frequency electrical oscillations.

RADIO AUDION COMPANY
90 Oakland Avenue
Jersey City, New Jersey, U. S. A.